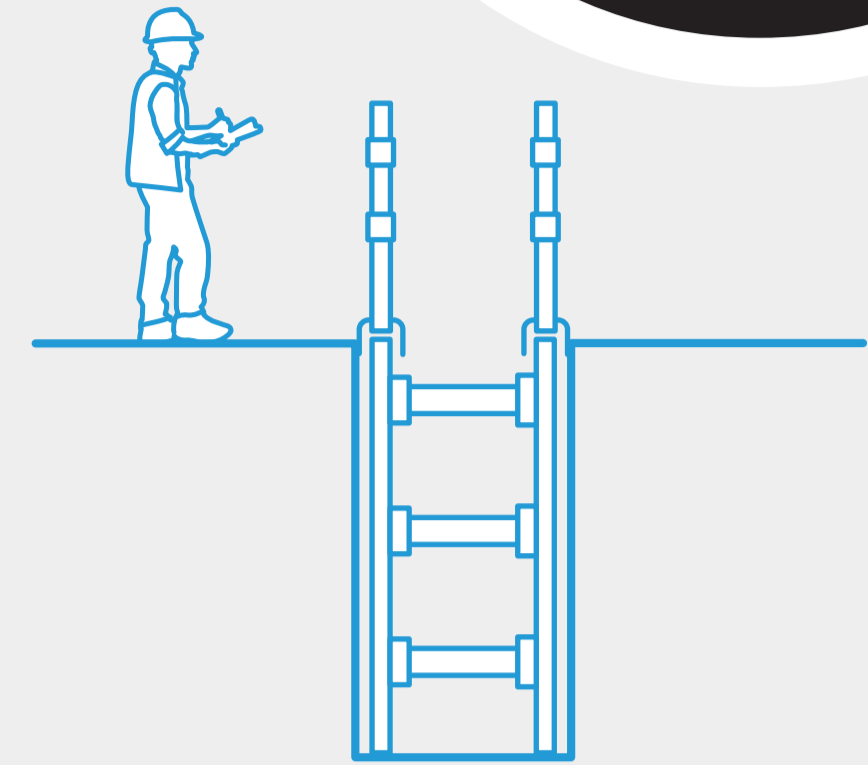
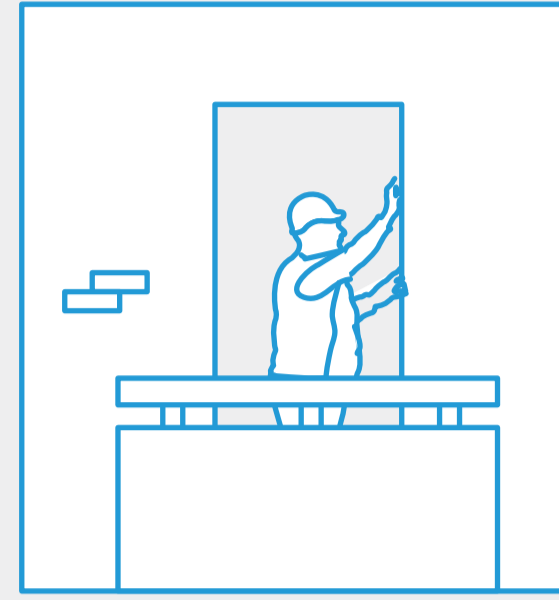
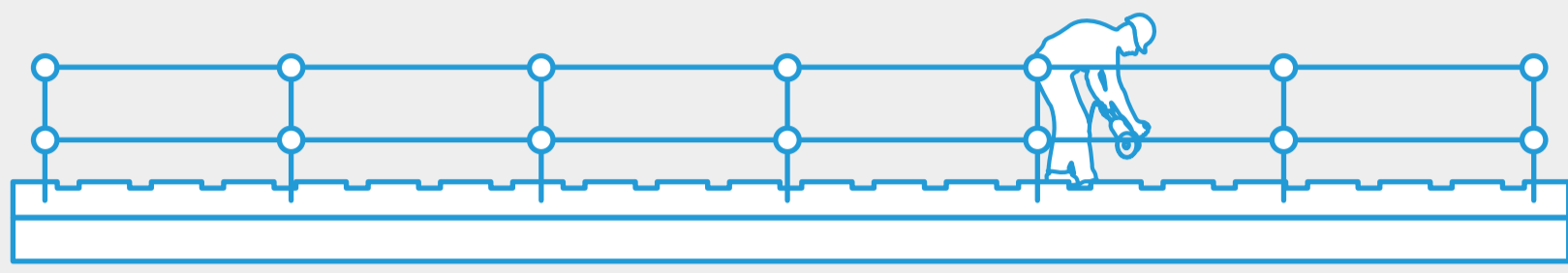


Work at Height



Risk - Person or object falling from height

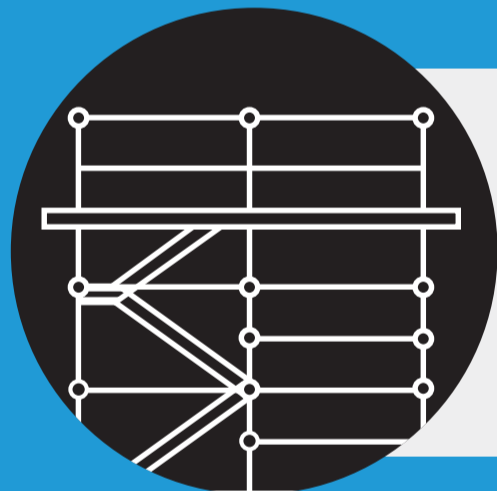
Eliminate

If possible complete work from ground level

Minimise

If not eliminated, I will apply the below controls as a minimum:

At height ↑ 2m



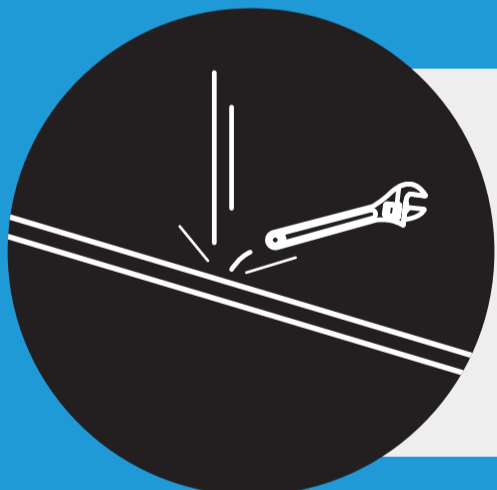
Work from a solid platform or construction



Cover penetrations, openings and shafts



Work behind physical edge protection



Set physical protection from falling objects

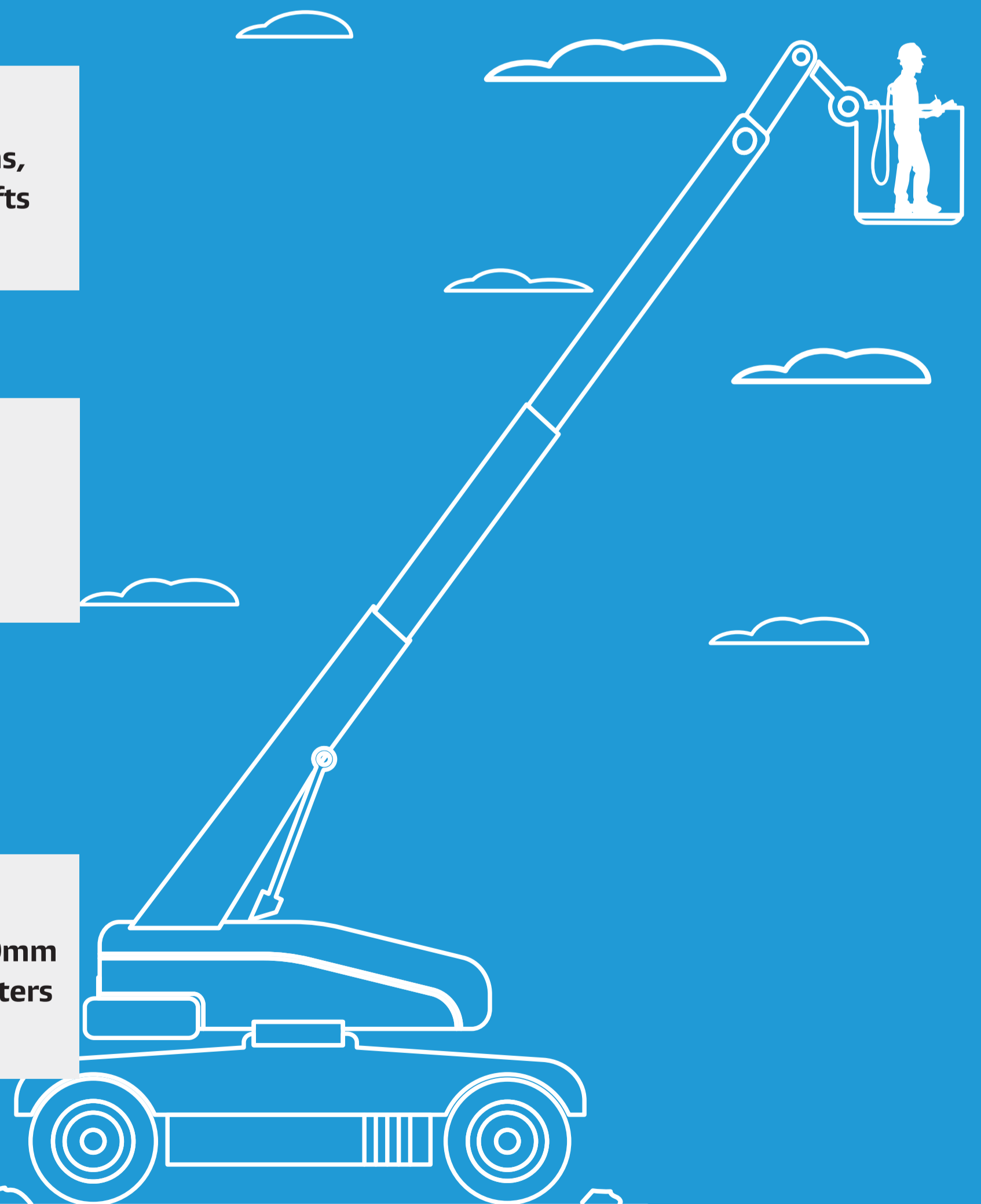
At height ↓ 2m



Use platform ladders ≤1.8 meters and work from the platform only



Trestles must be a minimum of 900mm wide and ≤1.5 meters in height



Our Risk Standards

Any questions or feedback? Reach out to our team on site.

